

Bench Top Vacuum Sealer

Model: WFVECOVAC36F7

Commercial Ecovact chamber vacuum sealer designed and constructed in Italy.

It features a 360 mm sealing bar, is easy to operate and can store up to 10 programmes. Made from food grade stainless steel the superior build quality ensures it is one of the most reliable and trouble-free machines available.

FEATURES

WFVECOVAC36F7

- 360 mm sealing bar (front)
- high grade stainless steel construction
- LCD display
- easy to use digital controls
- 10 programmes
- piston welding bar for easy cleaning and longevity
- 10 m³ per hour vacuum pump

SPECIFICATIONS

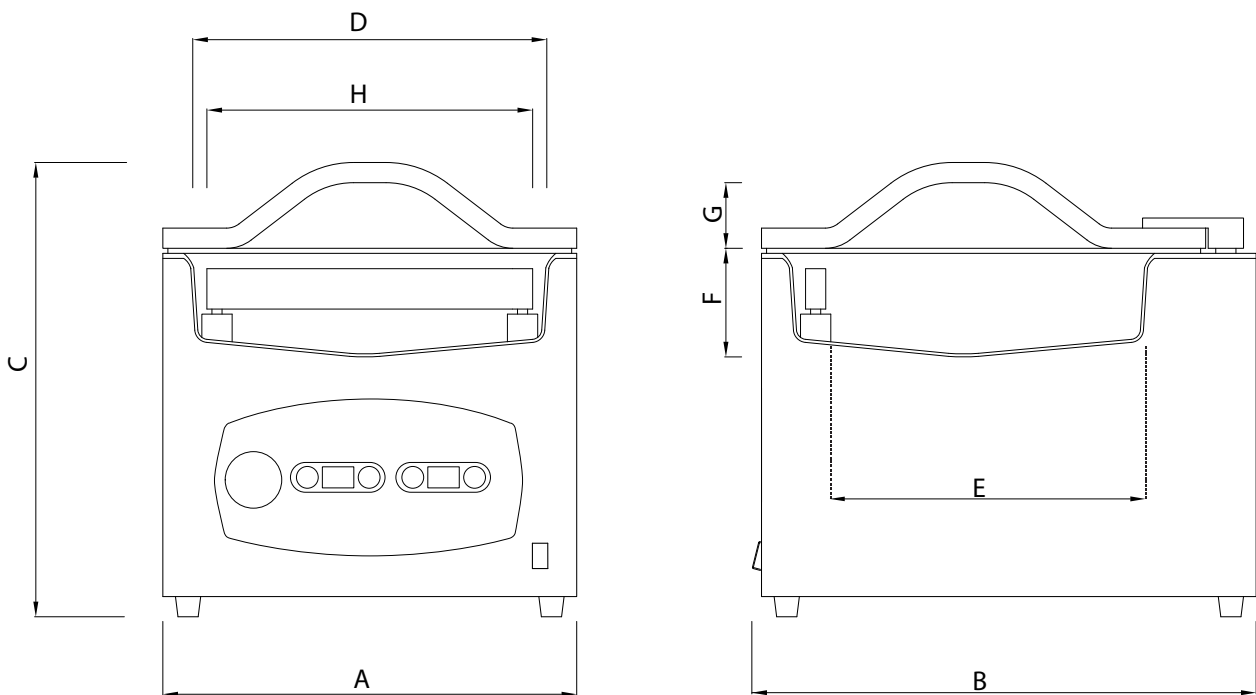
Sealing Bar Width (mm): 360
Overall Dimensions (mm): 460 (W) x 565 (D) x 500 (H)
Power: single phase



Specifications may change without notice

DIMENSIONS:

Drawing Reference	Dimension Description	Size (mm)
A	Machine width (excluding fittings)	460
B	Machine depth including on/off switch	565
C	Machine height including feet & lid	500
D	Inside chamber width	370
E	Inside chamber depth (inside front sealing bar to back of the chamber)	380
F	Inside chamber height excluding domed lid	135
G	Inside height domed lid	76
H	Sealing bar width	360



Specifications may change without notice