

Bench Top Vacuum Sealer

Model : WFVECOVAC4207

Commercial Ecovact chamber vacuum sealer designed and constructed in Italy, and made from food grade stainless steel.

It features a 420 mm sealing bar and is simple to operate with user friendly push buttons and a LCD display for creating and storing up to 10 programs. The superior build quality ensures it is one of the most reliable and trouble free machines available to you.

FEATURES

WFVECOVAC4207

- front 420mm sealing bar
- all stainless construction
- LCD display
- easy to use digital controls
- 10 programs
- piston welding bar for easy cleaning and longevity
- Italian made 12m³/h pump

SPECIFICATIONS

Sealing Bar Width (mm):	420
Overall dimensions (mm):	510 (W) x 600 (D) x 500 (H)
Power:	Single phase

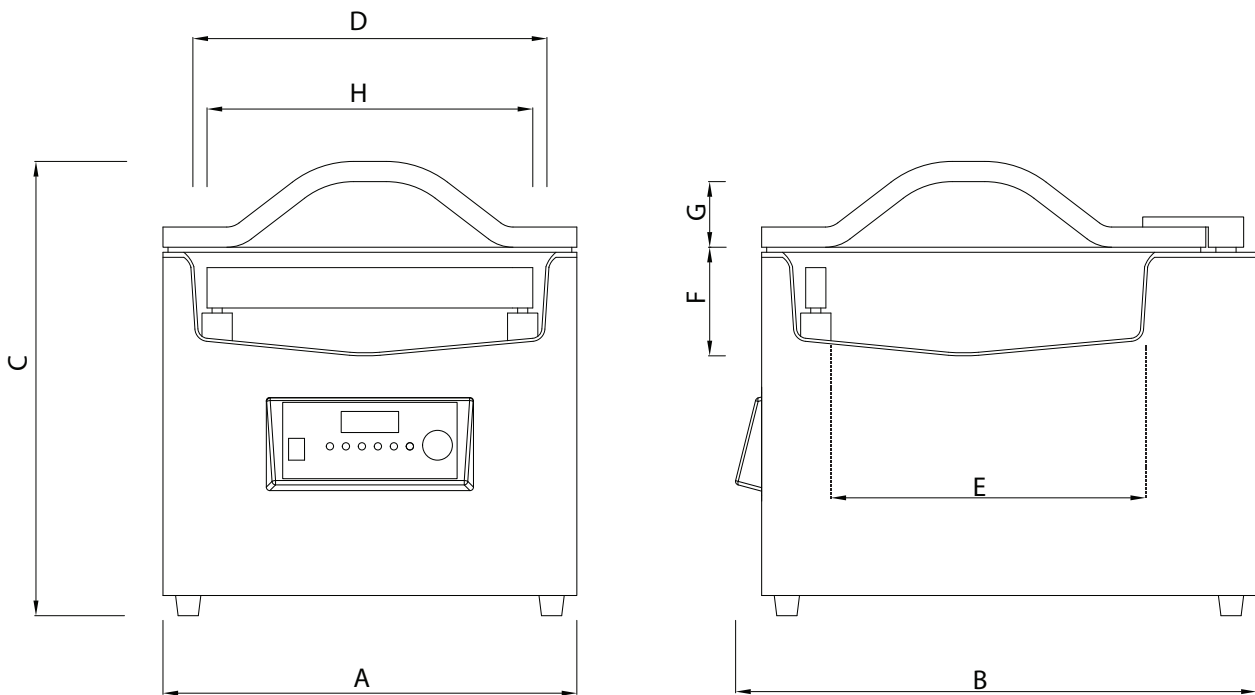


ECOVACT
ECOVACT

Specifications may change without notice

DIMENSIONS (MM):

Drawing Reference	Dimension Description	Size (mm)
A	Machine width	510
B	Machine depth including operator panel	600
C	Machine height including feet & lid	500
D	Inside chamber width	430
E	Inside chamber depth (inside front sealing bar to back of the chamber)	380
F	Inside chamber height excluding domed lid	135
G	Inside height domed lid	76
H	Sealing bar width	420



Specifications may change without notice