

Commercial Vacuum Sealer

Model : WFV93FGD7

Constructed entirely from high-grade stainless steel and coupled with a premium quality vacuum pump, this ergonomic floor model, chamber vacuum sealer is designed for commercial use. It is simple to operate with user friendly push buttons and a LCD display for creating and storing up to 20 programs which are all capable of soft vacuum for liquid packaging.

Our entire range of vacuum sealers have been designed and finished to the highest of standards in Italy. The superior build quality ensures it is one of the most reliable and trouble free machines available to you.

FEATURES

WFV93FGD7

- dual 520 mm sealing bars (front & back)
- all stainless construction
- easy to use digital LCD controls
- 20 programs including soft vacuum for liquids
- vacuum pump 25 m³ per hour
- final vacuum 2.0 m bar
- piston welding bar for easy cleaning and longevity
- gas insertion point for regassing

SPECIFICATIONS

Sealing Bar Width (mm):	520
Overall dimensions (mm):	650 (W) x 700 (L) x 1080 (H)
Chamber dimensions (mm):	530 (W) x 430 (L) x 155 (H)
Power Consumption:	15Amp/230V/50Hz, 0.75kW
Net weight:	93kg

*Overall height is from bottom of castor to top of domed lid

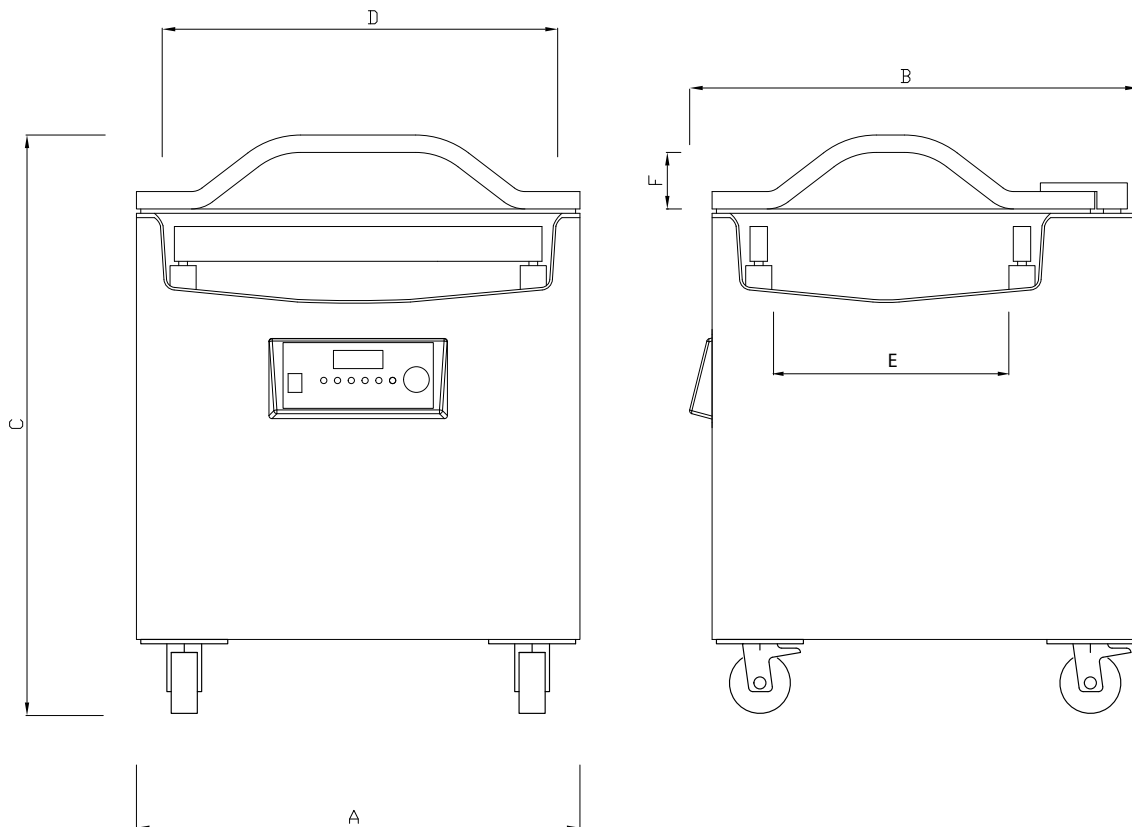
*Length of chamber is measured between front and back sealing bars



Specifications may change without notice

DIMENSIONS (MM):

Drawing Reference	Dimension Description	Size (mm)
A	Overall width	650
B	Overall depth	700
C	Overall height	1080
D	Chamber width	530
E	Chamber depth	430
F	Chamber height	155
G	Inside height domed lid	80
H	Sealing bar width	520



Specifications may change without notice