

# 2D Fixed Mount Barcode Reader

Model : DLGFS4470

Using advanced imaging technology, the DLGFS4470 2D fixed mount barcode reader provides a complete self-contained solution for use into self-service kiosks, price verifiers, ticket readers and medical laboratory applications, as well as other automated equipment.

## FEATURES

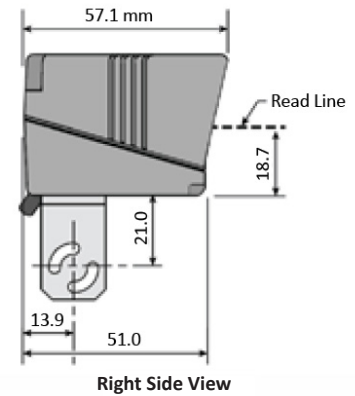
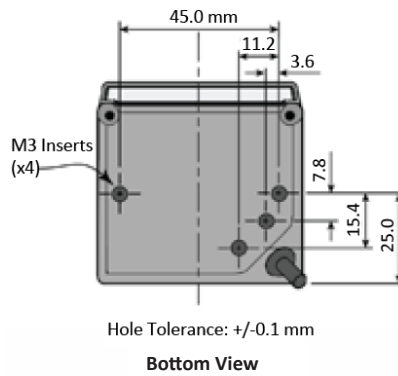
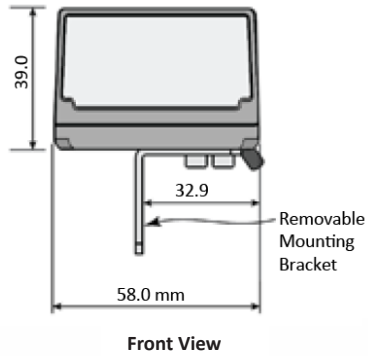
DLGFS4470

- compact Fixed Mount Barcode Scanner
- targeted scanning with highly visible 4 dot aimer & centre cross
- visual (Green spot) good read indicator for noisy environments
- integrated good read beeper
- automatic sensing or manual trigger options
- hi speed imaging for fast moving codes
- excellent Near field reading at the scan window
- read 1D, 2D and postal codes plus stacked and composite codes



*Specifications may change without notice*

## SPECIFICATIONS



Specifications may change without notice