

Checkout Scale

Model : TSDS983

TSDS983 Checkout Scales are NMI approved for trade use in Australia. They deliver quick and accurate price calculating results at the point of sale. With a compact double-sided LCD display and stainless steel weighing platter, they're enhancing customers' shopping experience throughout Australia.

FEATURES

TSDS983

- NMI approved for trade use in Australia
- simple robust design
- large easy to read liquid crystal display (LCD)
- sturdy stainless steel weigh platter
- double sided remote display

SPECIFICATIONS

Platform Size (mm): 342 (W) x 285 (D)

Standard Capacity: 15 kg dual range:
0 kg - 6 kg x 2 g
6 kg - 15 kg x 5 g

Optional Capacities: 15kg x 5g
30 kg dual range:
0 kg - 15 kg x 5 g
15 kg - 30 kg x 10 g

OPTIONS

- stainless steel corral (BL5016)
- pole mounting bracket for checkout scale application (BL8574)

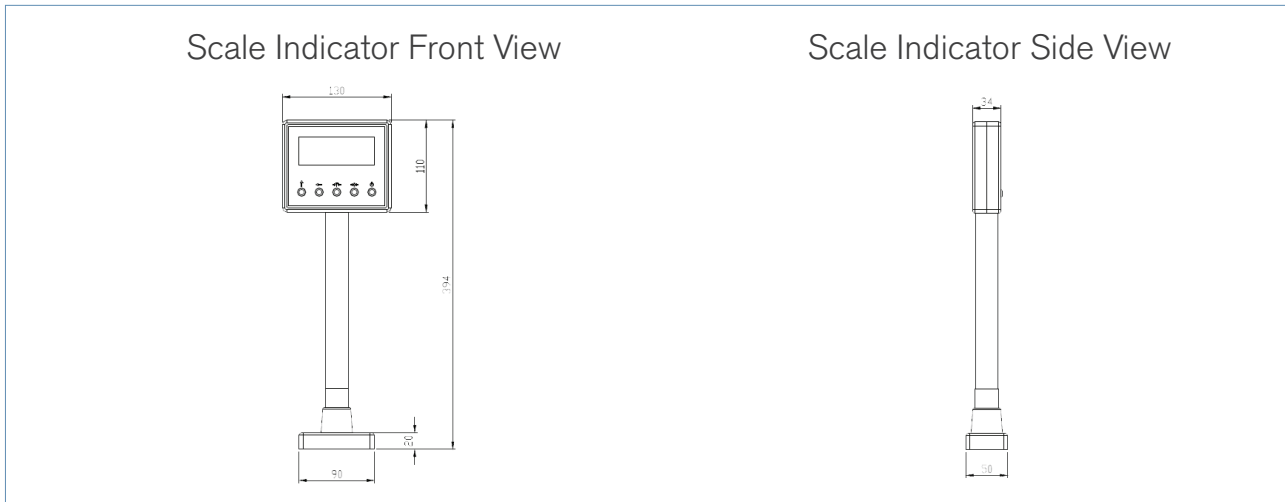
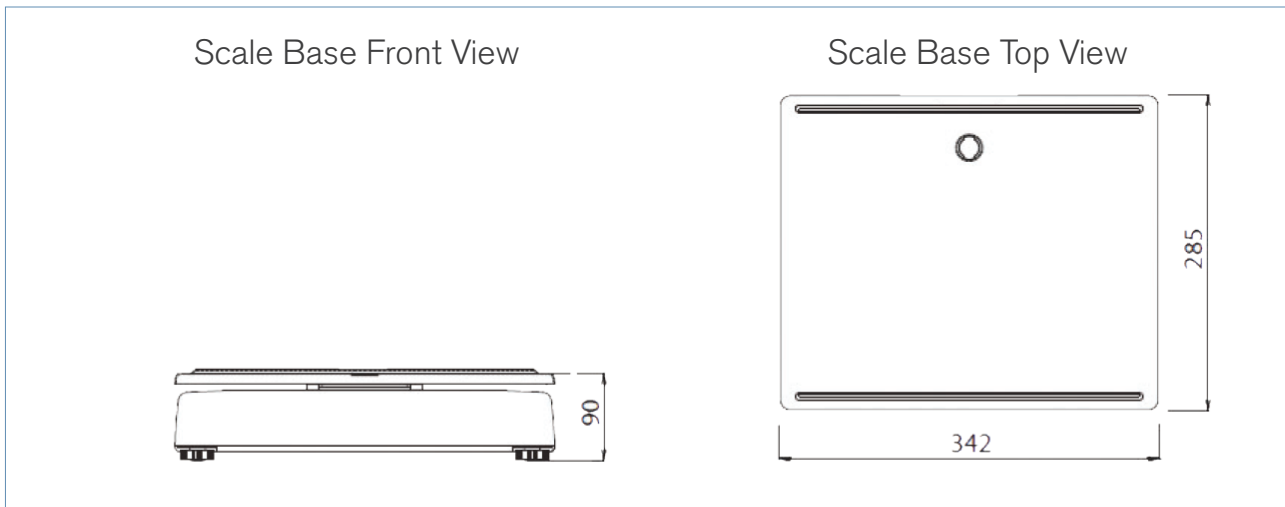


CUSTOMER VIEW



Specifications may change without notice

LINE DRAWING FOR TSDS983



Specifications may change without notice.